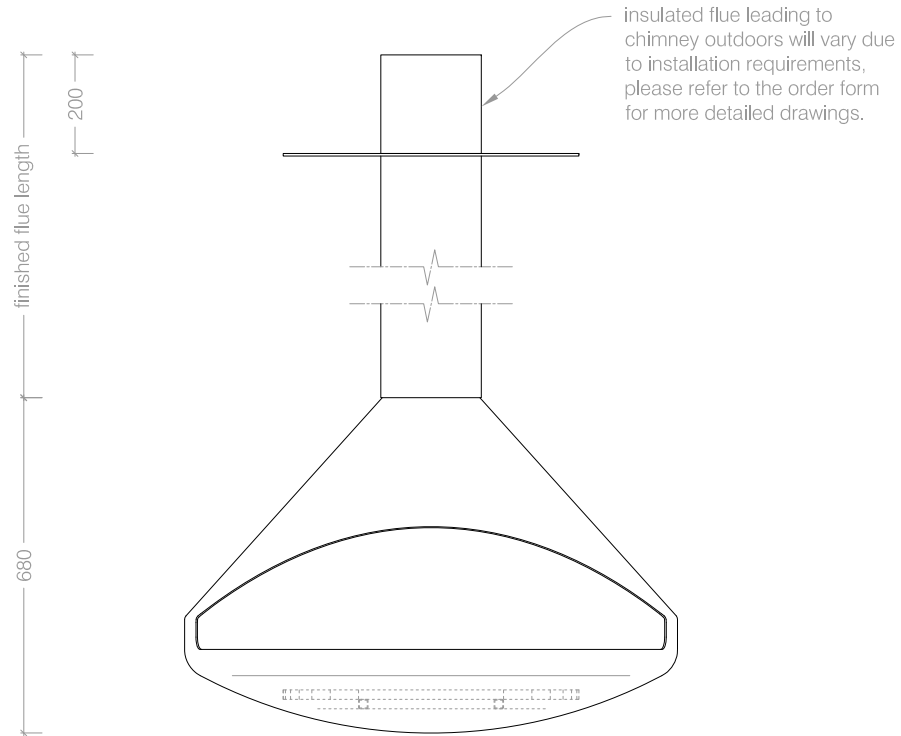
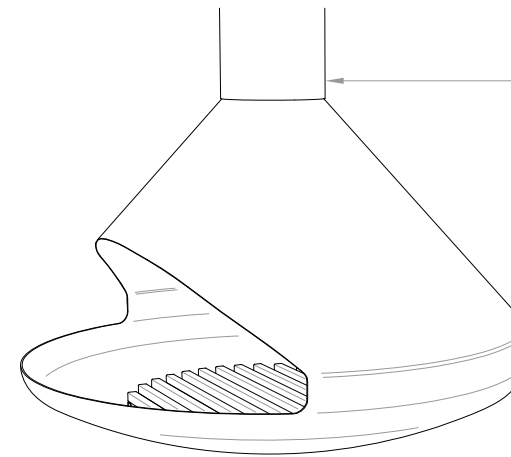


Top View

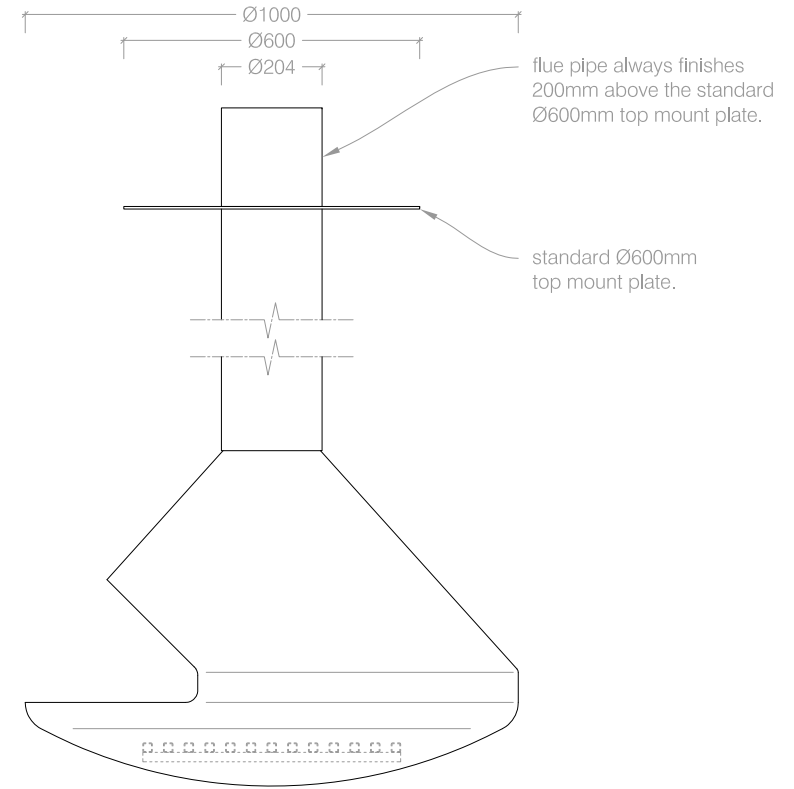


Front View



Perspective View

Top mounting plates can be custom made to suit different installation requirements if necessary. Flue lengths are always made per order, to best suite the environment where the Nero Cone is to be installed. Please consult your sales representative.



Side View

BF015 - Nero Cone Ø1000

© This drawing is copyright and remains the property of Beauty Fires. It may not be retained, copied or used without written consent.