



Wall_B

DESIGN ANDREA CROSETTA



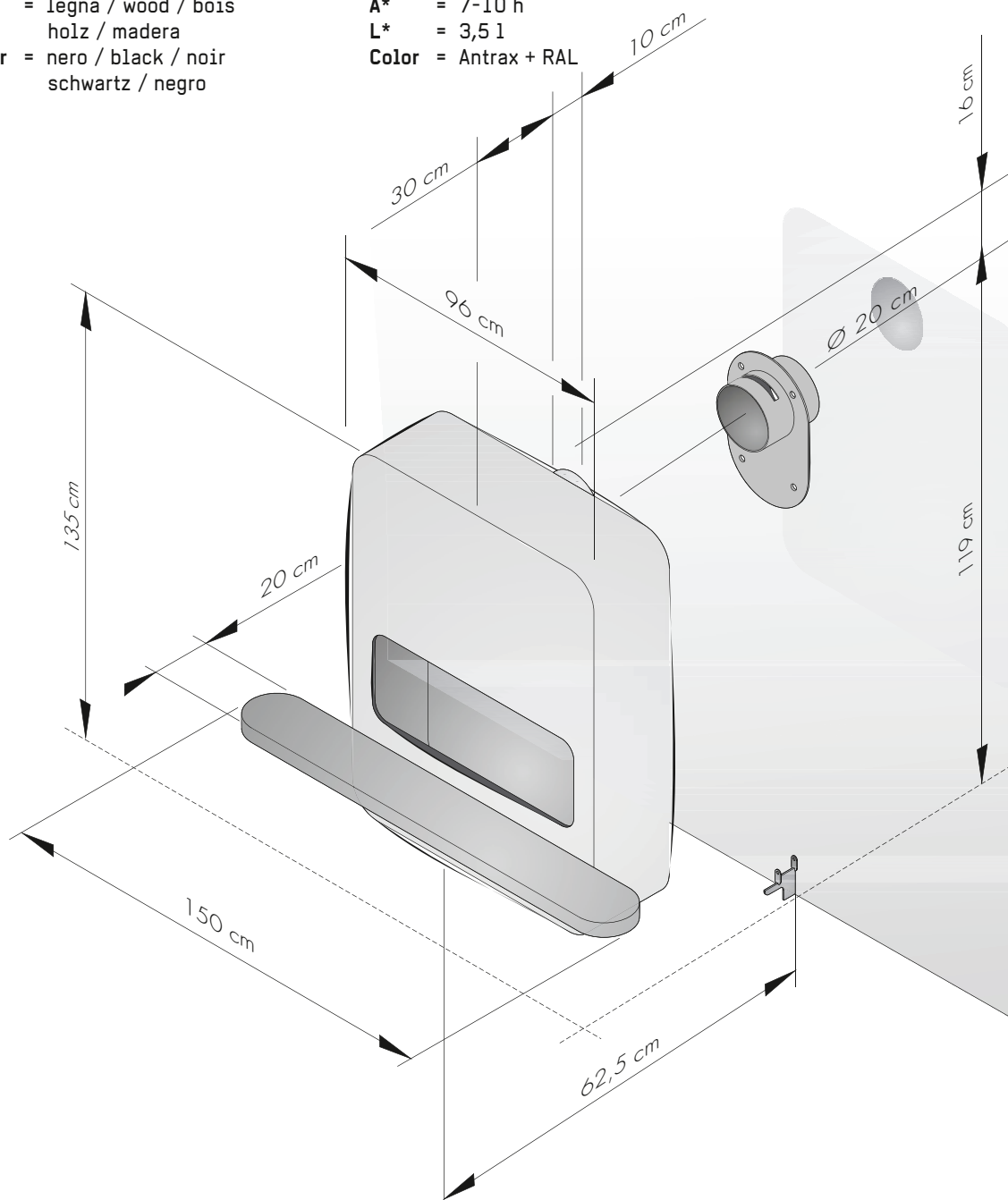
WOOD



BIO

D* = 96 [150] x 40 [62.5] x 135 cm
K* = 190 kg
Ø* = 20 cm
P* = 5200 W
R* = 39%
C* = legna / wood / bois
 holz / madera
Color = nero / black / noir
 schwarz / negro

D* = 96 [150] x 40 [62.5] x 135 cm
K* = 115 kg
P* = 4100 W
C* = bioetanolo / bioethanol / bioéthanol
 bioethanol / bioetanol
A* = 7-10 h
L* = 3,5 l
Color = Antrax + RAL



D* = Dimensioni / Size / Dimensions / Maße / Tamaño **K*** = Peso / Weight / Poids / Gewicht / Peso **Ø*** = Ø uscita fumi / Ø of chimney / Ø évacuation fumées / Ø Rauchabzug / Ø salida humos
P* = Potenza / Heat output / Puissance / Wärmeleistung / Potencia **R*** = Rendimento / Efficiency / Rendement / Wirkungsgrad / Rendimiento **C*** = Combustibile / Fuel / Combustible / Brennstoff / Combustible
A* = Autonomia / Burning time / Durée de combustion Brenndauer / Autonomia **L*** = Capienza serbatoio / Burner capacity / Capacité / Fassungsvermögen der Brennkammer / Capacidad del depósito