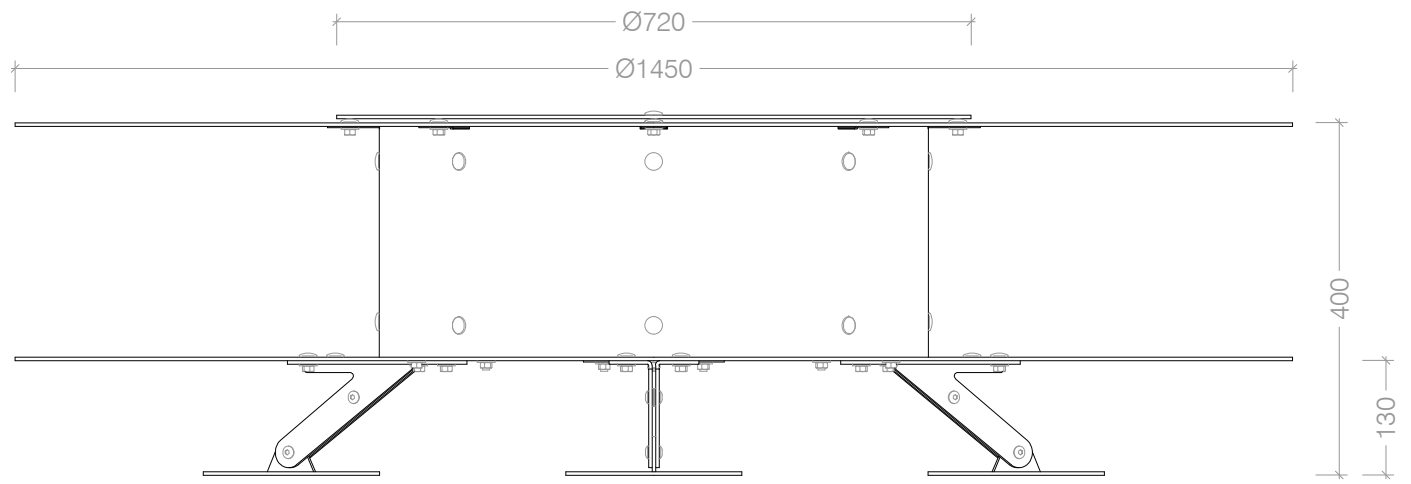


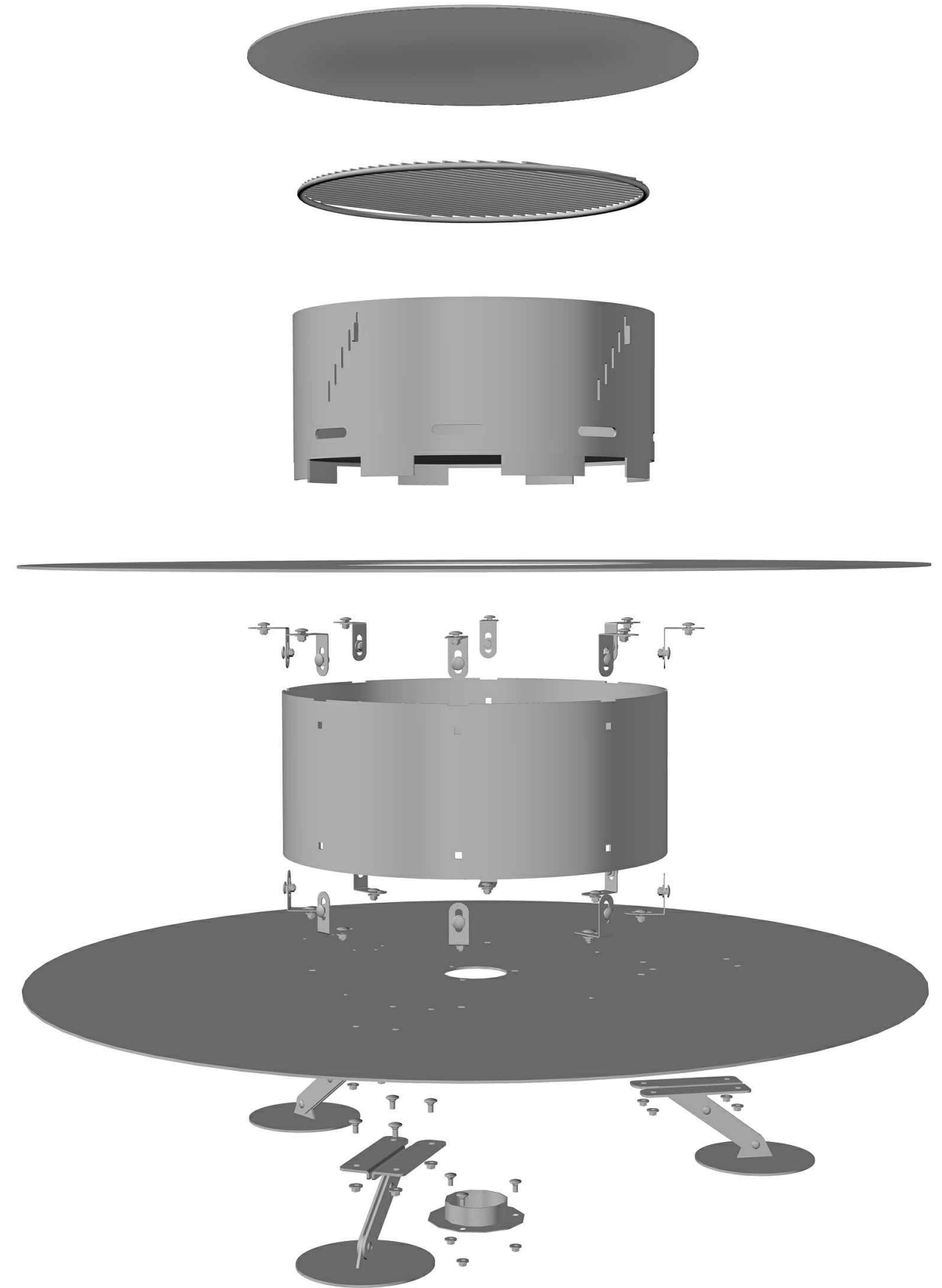
Top View



Front View

## BF027 - Discus Firepit $\text{Ø}1450$

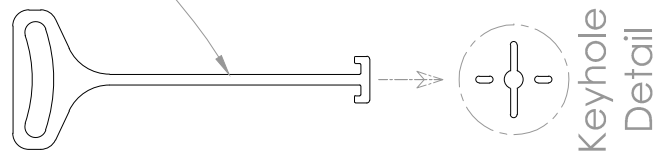
© This drawing is copyright and remains the property of Beauty Fires. It may not be retained, copied or used without written consent.



Lid Handle (qty 1) is supplied separate. Insert into cup square bolt into center hole and lock two nuts below.

Lid (qty 1) rests on heads of the cup square bolts on the Top Plate.

Handles (qty 2) with key like head used to lift the burner drum, or to stoke the fire.



Grid (qty 1) rests on Grid Support Brackets below.

Grid Support Brackets (qty 4) fit into the corresponding holes in the Burner Drum. The support brackets are height adjustable.

#7 - Burner Drum (qty 1) fits loosely into hole in Top Plate using the two Handles supplied. The Handle works like a key in the keyholes in the base of the Burner Drum, see Keyhole Detail opposite...

#6 - Top Plate (qty 1) once the L-Brackets are on the Top Plate, place it on the Structural Drum below and secure all nuts once correct alignment is achieved.

#5 - L-Brackets (qty 8) bolted to Top Plate from below - only finger tighten nuts for now. Nuts & washers below with cup square bolt heads above.

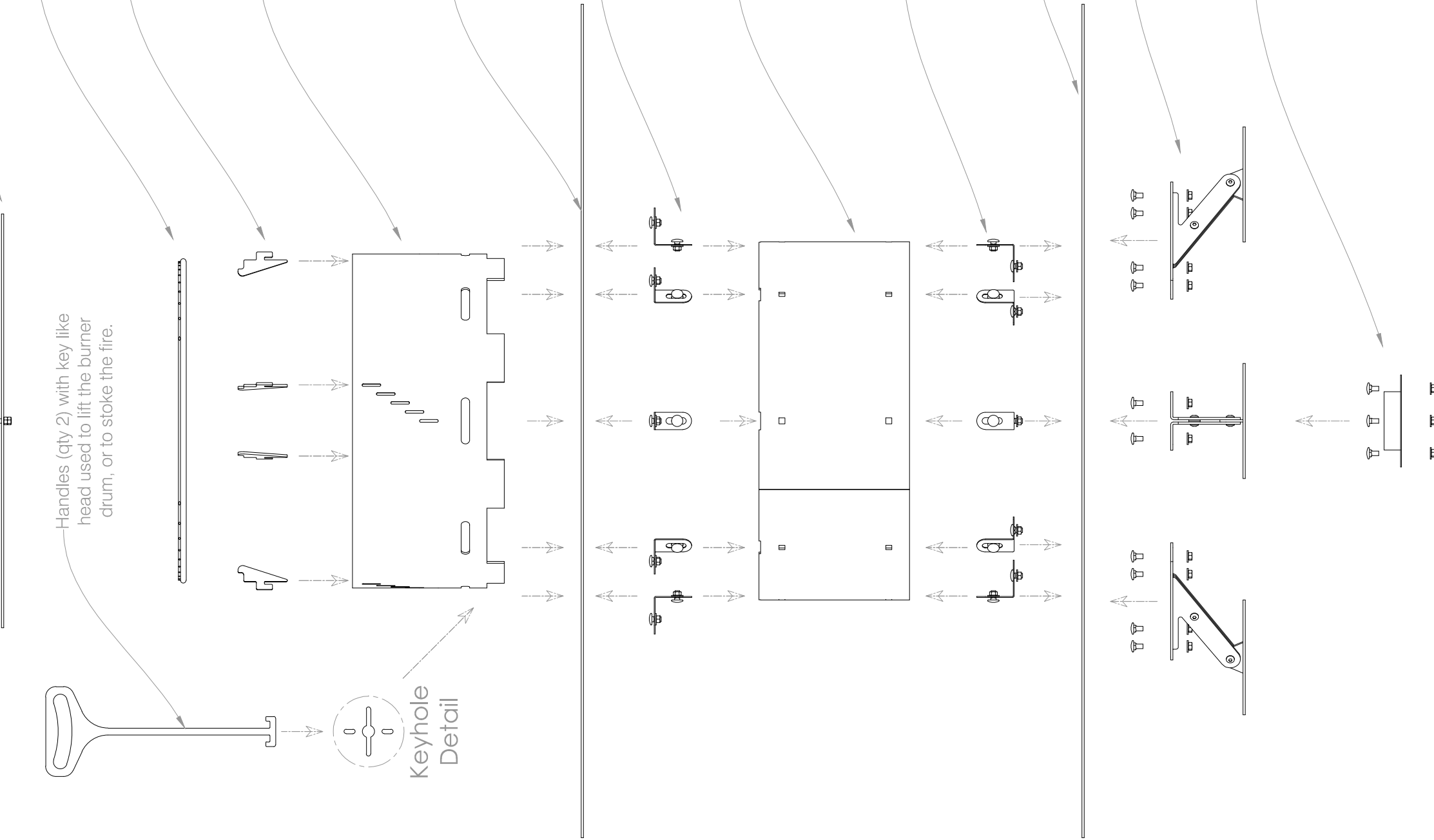
#4 - Structural Drum (qty 1) bolted onto L-Brackets that are fitted to Base Plate below. Cup Square bolt heads outside drum with nuts & washers inside. Secure all nuts once correct alignment is achieved.

#3 - L-Brackets (qty 8) bolted to Base Plate from above - only finger tighten nuts for now. Nuts & washers below with cup square bolt heads above.

Base Plate (qty 1)

#2 - Foot Assemblies (qty 3) securely bolted to Base Plate from below. Nuts & washers below with cup square bolt heads above.

#1 - Vent disc (qty 1) securely bolted to base from below. Nuts & washers below with cup square bolt heads above.



Assemble from the bottom up

# BF027 - Discus Firepit Ø1450

© This drawing is copyright and remains the property of Beauty Fires. It may not be retained, copied or used without written consent.