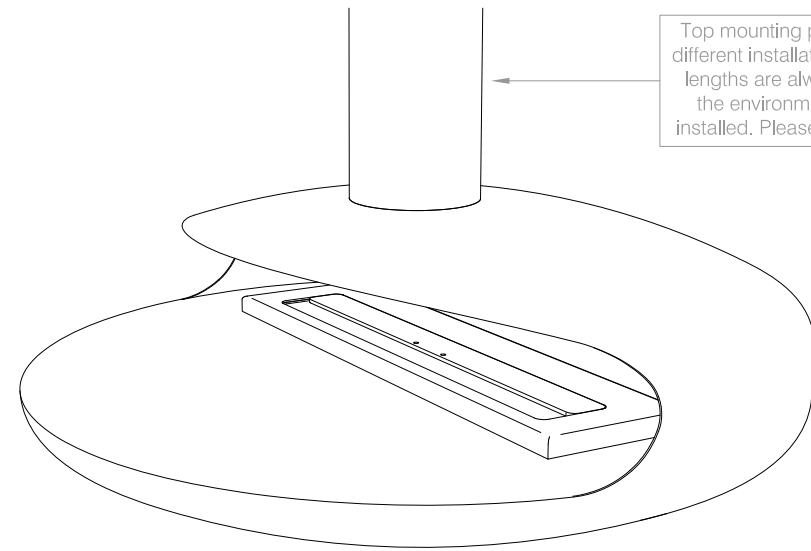
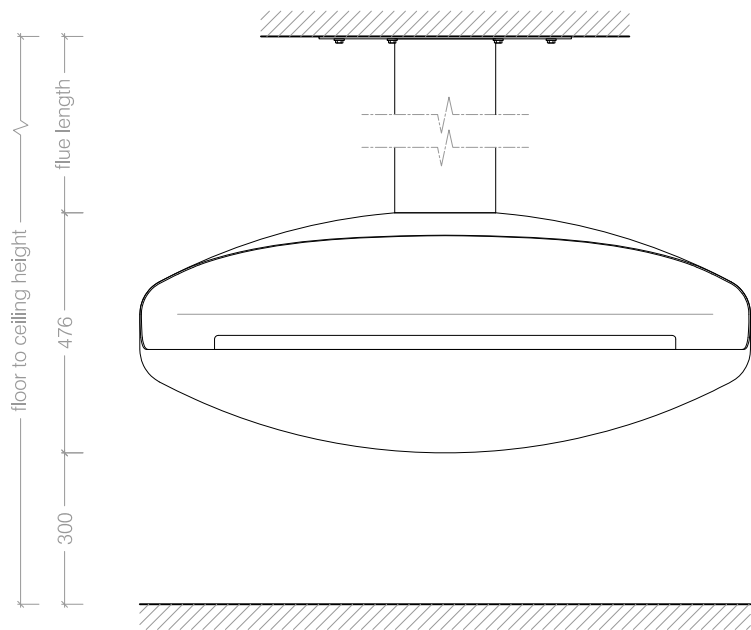


Top View

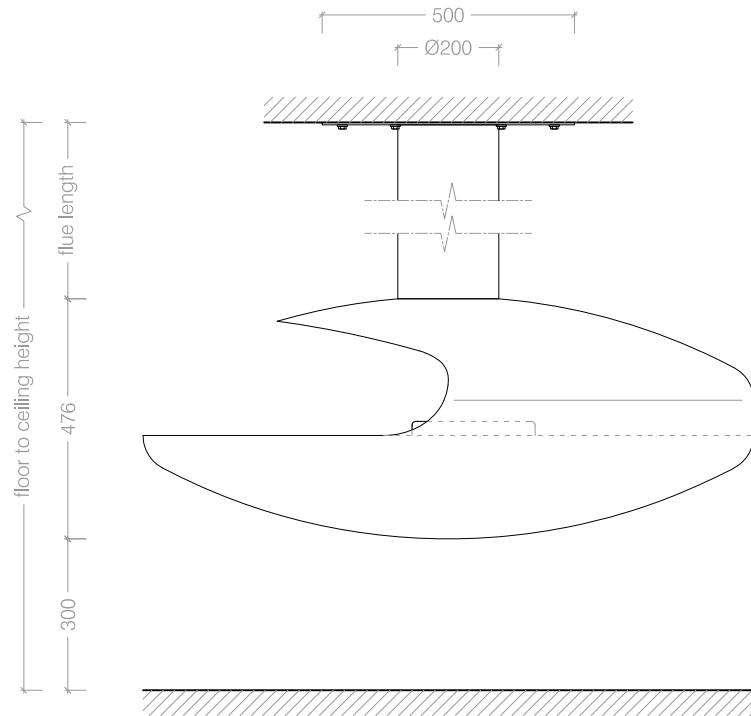


Top mounting plates can be custom made to suit different installation requirements if necessary. Flue lengths are always made per order, to best suite the environment where the Nero Float is to be installed. Please consult your sales representative.

Perspective View



Front View



Side View

Nero Float Ø1210 with Grand XL Burner

© This drawing is copyright and remains the property of Beauty Fires. It may not be retained, copied or used without written consent.