

keep your
fire
on demand



belfires gas fires

Gas fires - built-in & insert



The organisation behind Bellfires reliable and enthusiastic

Is quality important to you? Do you attach value to sustainability? Do you feel at home with a company with a friendly face? Then Bellfires is the right organisation for you. This Dutch fireplace manufacturer has been leading the way in innovation and design since 1928. Bellfires is still a family company and has the unique ability of being able to combine traditional values with modern techniques. With the aim of manufacturing the highest quality fires that will give the customer complete satisfaction. But Bellfires believes its responsibility extends further: care for people and the environment is also something we focus on. All our fires are produced in the Benelux, which ensures welcome employment. If you sub-contract activities to low-wage countries, valuable knowledge is lost and it is impossible to react effectively to changes in the market. Bellfires prefers to keep its skills and craftsmanship within the company. As a consumer, you also benefit from this: always a modern fire featuring the most innovative techniques.

Yet Bellfires fires are still very affordable. The secret of this success is in the new production method. Thanks to a hyper-modern, environmentally friendly paint shop and short lines within the company, Bellfires has been able to achieve unprecedented efficiency. Each fire goes through the factory under its future owner's name. A fire is no longer an anonymous piece of steel, but a personal interior product, treated with the upmost care by the Bellfires professionals.

100% Benelux (Belgium, The Netherlands, Luxembourg). It is something to be proud of, and it has an important advantage for you, our customer. Because Bellfires can adjust quickly, you can count on exceptional after-sales service and professional help in the maintenance of your fire.



Contents

built in fires - balanced flue

View Bell 3	
View Bell Large 3	6

Derby 3	
Derby Large Tunnel 3	10

insert fires - conventional flue

Unica-2	
Unica-2 75	14
Unica-2 90	16

product information

Frame	18
Interior	18
Burner decoration	19
Product overview	20

The double burner

When it is bleak, cold and wet outside, there is nothing like the warmth and cosiness of a fireplace. A pleasant high play of flames and optimum heat output. We all like to enjoy the cosy atmosphere provided by a nice fire in the spring and autumn too when the evenings are not so cold, but then without the unnecessary heat. Not maximum power, but maximum atmosphere.

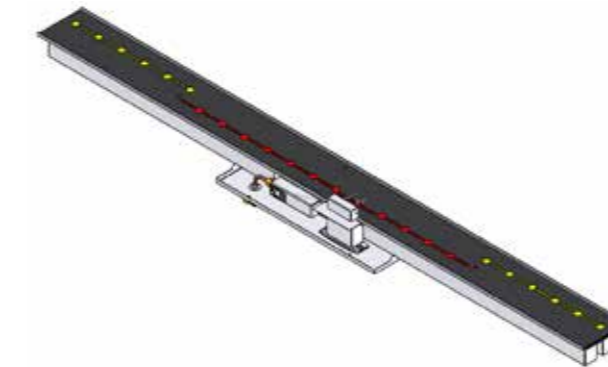
The Bellfires' developers have tackled this challenge for you and developed the double burner. An innovative feature which allows you to enjoy your fire regardless the heating season.

Two settings

The double burner gives you a choice of two modes: the normal mode in which both burners burn and the power saving mode, in which only one burner is on. With just one key-press on the remote control the power can be reduced by as much as 40%.

Because less gas is consumed, there is a significant saving on heating costs. So this is good for your pocket. But: you don't need to compromise on cosiness, because the flames are just as beautiful and high in the power saving mode. Ideal!

Centre Fire



Schematic representation of flame image, front view:



In the power saving mode; only the front burner on (red coloured burner)



Both burners on (red and yellow coloured burner)

Centre Fire - With the Centre Fire the fire image can be adjusted in width. With both burners on, the gas fire gives a pleasant fire over the full width of the hearth, and with optimum heat output. In the power saving mode the fire image is centred in the middle of the hearth.

built in fires - balanced flue

View Bell 3

Fire in triplicate

A perfect view of the fire from every angle. That is what new Bellfires View Bell 3 range offers. Stylish three-sided gas fires in different sizes. So there is an appropriate gas fire for every living room.

Details make the difference

As details make the difference, Bellfires engineers have devoted a great deal of care and attention to the finishing of the View Bell 3 gas fires. Hidden Door+ 10cm frame is standard for the View Bell Large 3. This wider frame borders the glass on all sides, so that a single unit is created with the surround.

Interior

The option for black ceramic glass is new. Ceramic back wall enhances the perception of depth, emphasising the intensity of the flames. New wood set also enhances true-to-life look of the fireplace and tried-and-tested ceramic burner guarantees a reliable and lifelike fire.

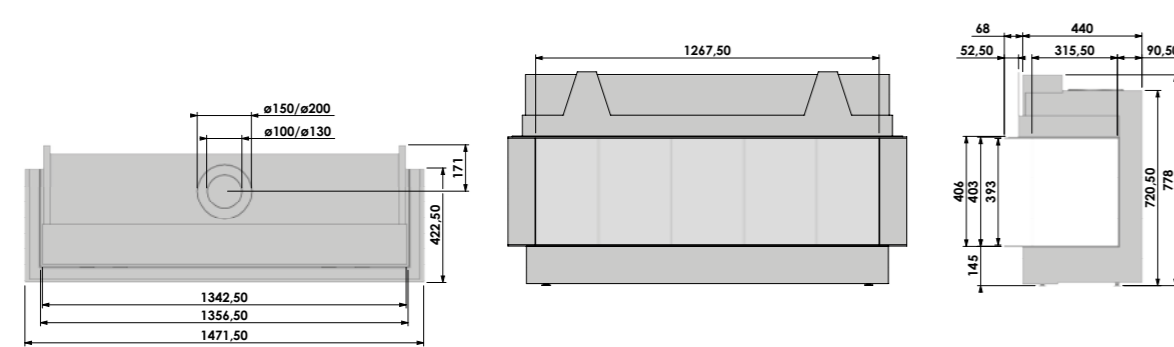
View Bell 3

View Bell Large 3

14



View Bell Large 3



View Bell Large 3 - Hidden Door 3+ 10 cm



Derby 3

Derby 3 is available with a completely new Hidden Door system with black screened glass edges. Specially developed for a very modern and minimalistic appearance.

Safety above everything

Of course, the developers of Bellfires have given safety special attention. The new Derby 3 is fitted with a patented safety system which carefully controls the extraction of any overpressure. What makes this safety system unique is the replaceability, controllability and thus optimum reliability. A clear added value, particularly in extreme situations.

Derby 3

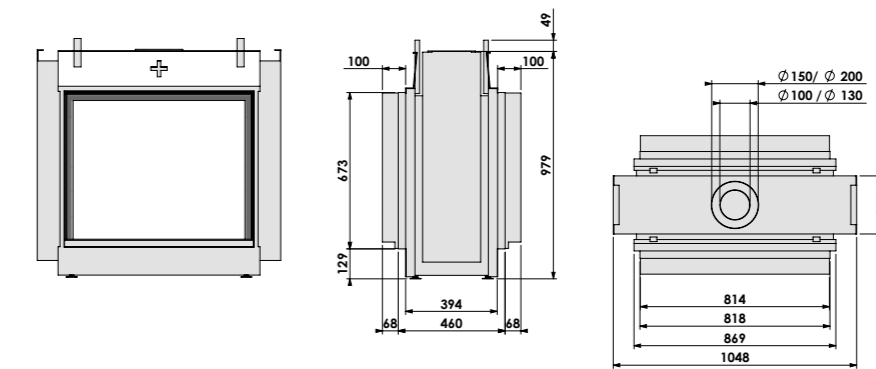
Derby Large Tunnel 3

20





Derby Large Tunnel 3



Derby Large Tunnel 3 - Hidden Door 3+ 10 cm

Unica-2

Modern inset gas fire

These inset gas fires were specially developed for fast and simple modernisation of existing fireplaces.

The minimal built-in depth of just 35 cm allows Unica-2 gas fire to fit into almost any situation. The black ceramic back wall, which gives it a more intense look.

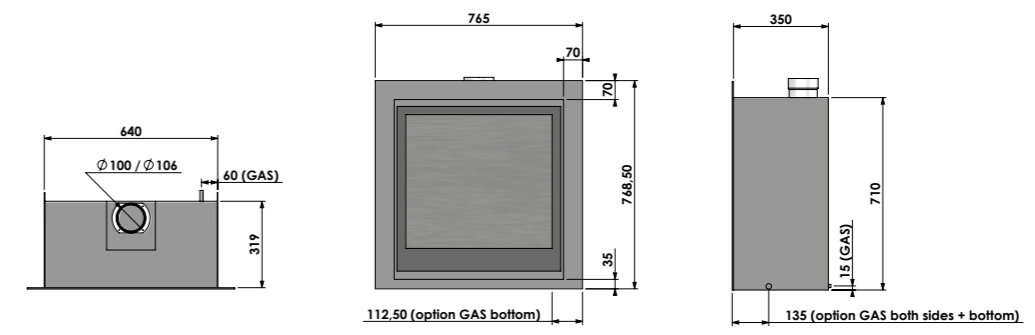
Unica-2

Unica-2 75

Unica-2 90



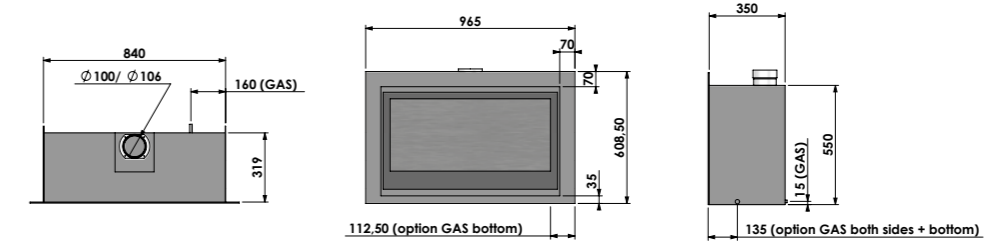
Unica-2 75



Unica-2 75 - 4 sided frame 70 mm.



Unica-2 90



Unica-2 90 - 4 sided frame 70 mm.

Frame



Hidden Door 3+ 10 cm

Interior



ceramic black mirror interior

Burner Decoration



wood logs



4 sided frame 70 mm.



remote control

Product overview

	Frame	Double burner	Interior	Weight	Burner decoration	Operating version	Output (kW)	Efficiency (%)	Gas rate	Combustion system	Gas flue outlet / air supply	Type of gas ¹			
	Hidden Door 3+ 10 cm 4 sided frame 70 mm.	Centre Fire	ceramic black mirror interior	kg. approx.	wood logs	thermostatic remote control	natural gas (min-max)	LPG (min-max)	natural gas LPG	natural gas (m ³ /hr) propane (g/hr)	conventional flue balanced flue	∅ (mm)	natural gas propane butane		
View Bell 3															
View Bell Large 3	•	•	•	115	•	•	2-10	2-9	85	85	1,21	940	•	•	•
Derby 3															
Derby Large Tunnel 3	•	•	•	120	•	•	2-9	2-7	85	85	1,10	700	•	•	•
Unica-2															
Unica-2 75	•	•	•	64	•	•	2-6	2-6	80	80	0,65	520	•	•	•
Unica-2 90	•	•	•	65	•	•	2-9	2-7	80	80	1,06	710	•	•	•

¹ Type of gas and burner decoration influence flame appearance (height).

All technical values in this table are approximately.
Details under reservation, not available at time of printing.
For exact details see product manual www.bellfires.com

All pictures in this brochure are meant to give an impression on possible settings and ideas. This brochure has been compiled with the utmost care. Nevertheless it is possible that certain information included is now outdated or no longer complete. Bellfires is not responsible for results of actions taken purely on the basis of this brochure. Bellfires therefore recommends taking professional expert advice before undertaking any actions purely based on the information in this brochure.



Beauty Fires

Cape Town
222 Sir Lowry rd
(cnr Sir Lowry and Caxton) Woodstock
Cape Town
7925
TEL: +27 21 461 9821

The Greenleaf Center
36 Karee Lane
(off Cedar Road)
Kyalami AH
Midrand
Johannesburg
1687
TEL: +27 21 461 9821