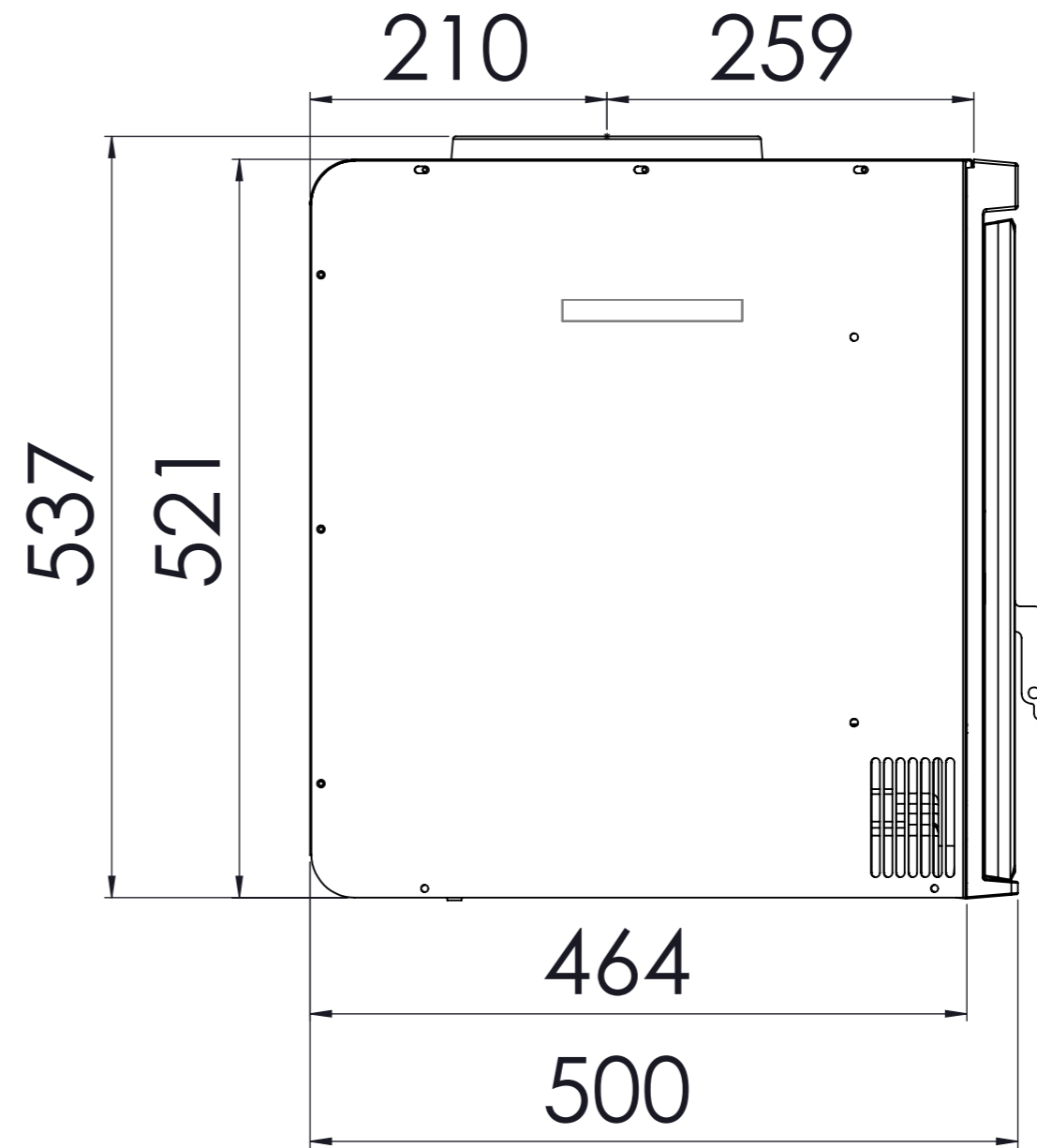
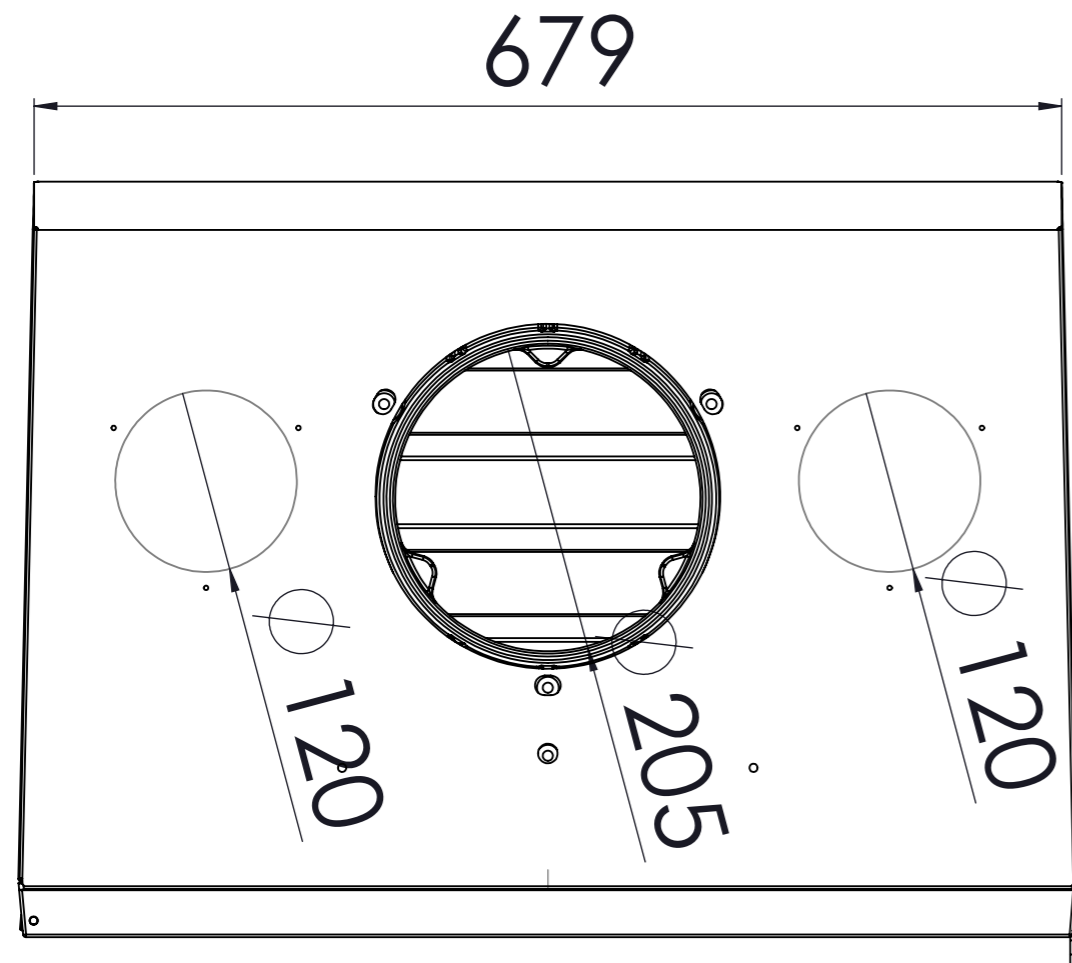
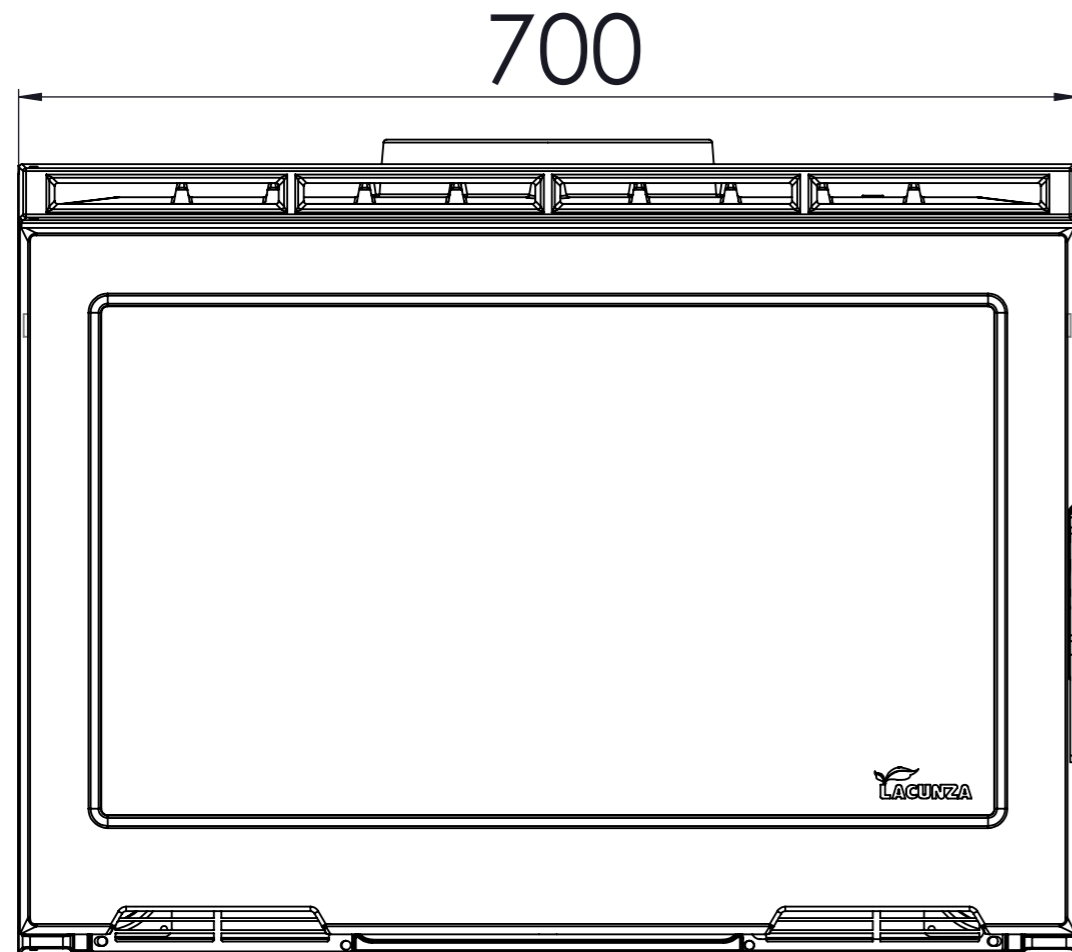


Midi 700 Cast Iron Insert



OPENING SIZE
REQUIRED

720mm W x 500mm D x
560mm H