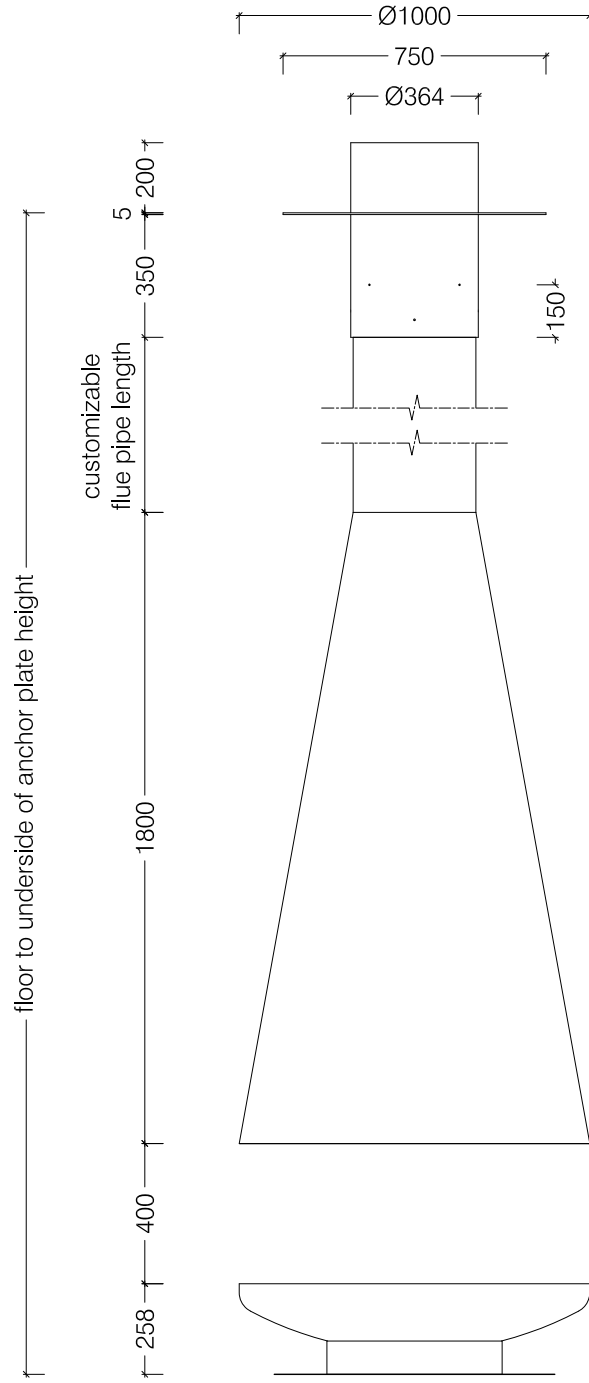
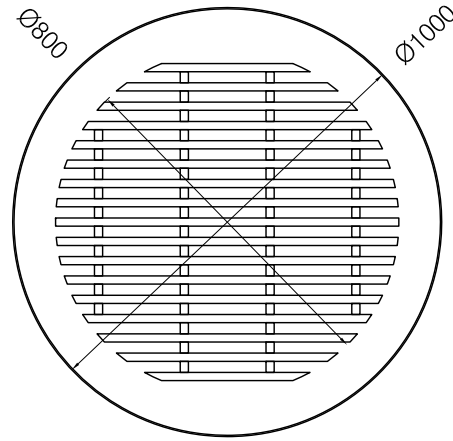


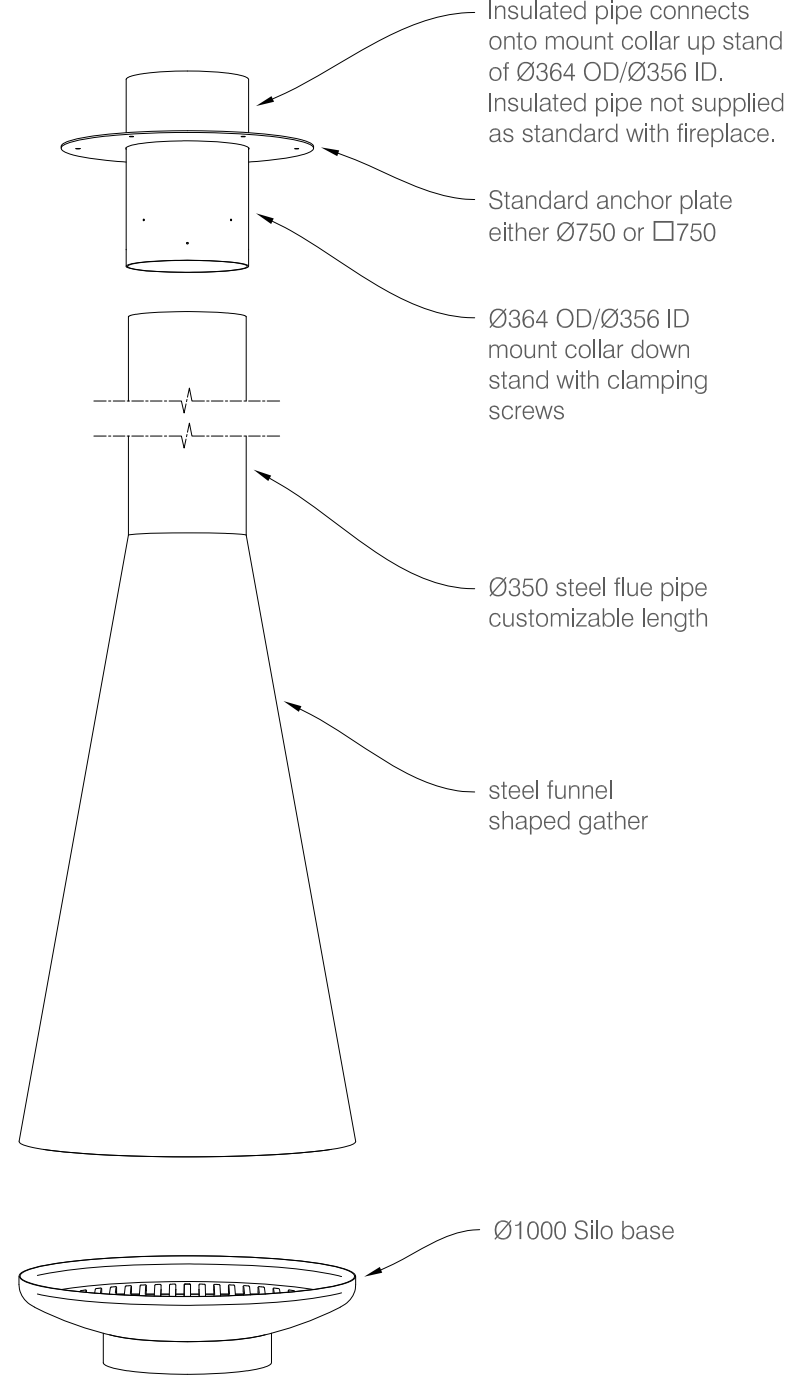
NOTE: the minimum length of flue pipe from top of steel funnel shaped gather to the underside of the cowl is 5m



Front View



Top View - Base Only



floor to underside of anchor plate height

customizable flue pipe length

Insulated pipe connects onto mount collar up stand of Ø364 OD/Ø356 ID. Insulated pipe not supplied as standard with fireplace.

Standard anchor plate either Ø750 or 750

Ø364 OD/Ø356 ID mount collar down stand with clamping screws

Ø350 steel flue pipe customizable length

steel funnel shaped gather

Ø1000 Silo base

NOTE: floor surface must be a non combustible material

Silo Ø1000