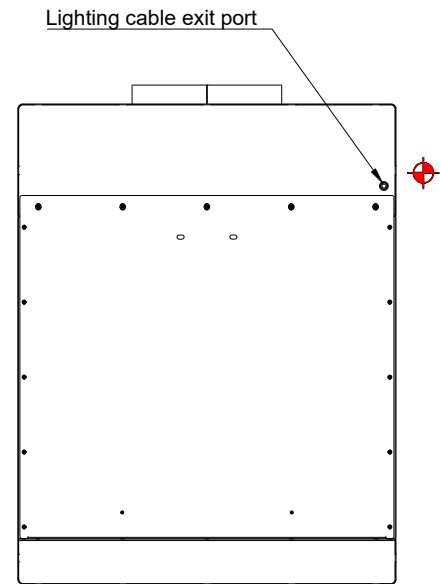
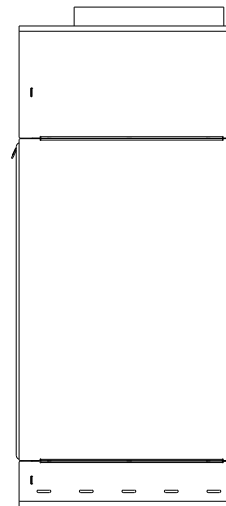
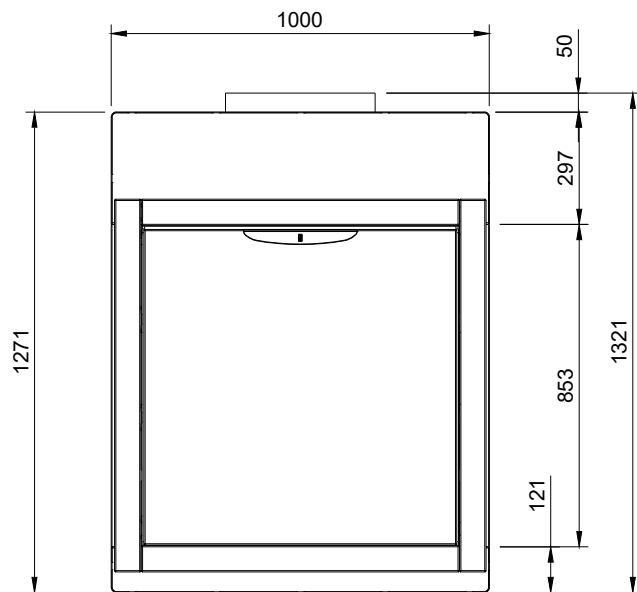
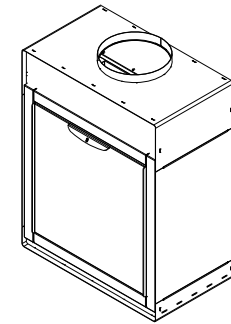


Complete Unit:

- Counter Top Braai Body - 1000
- Ember Insert Braai Body - 800
- 770 - Ember Wood Insert with Ember Maker & Grid

Optional:

- Shelves

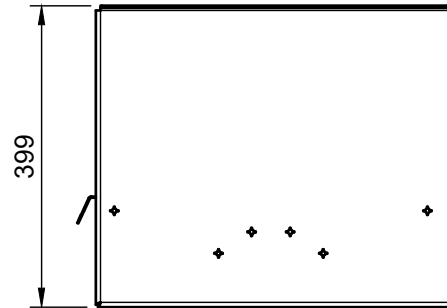
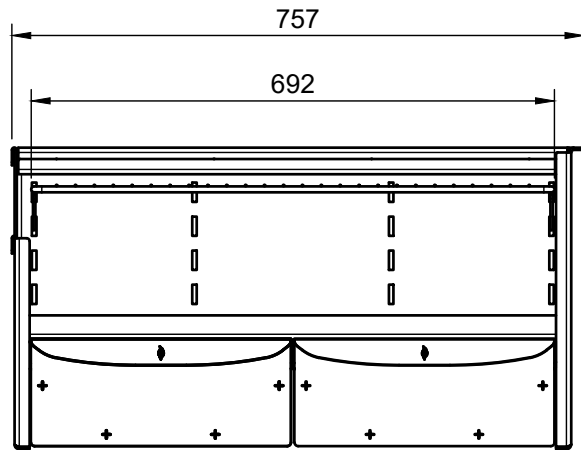
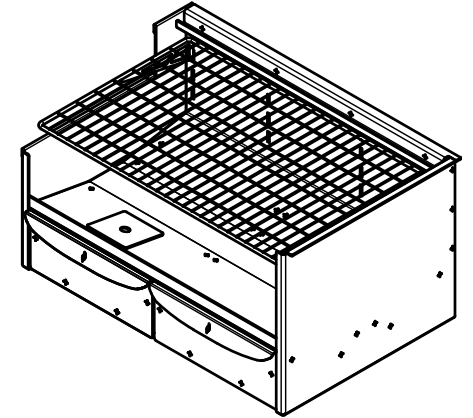
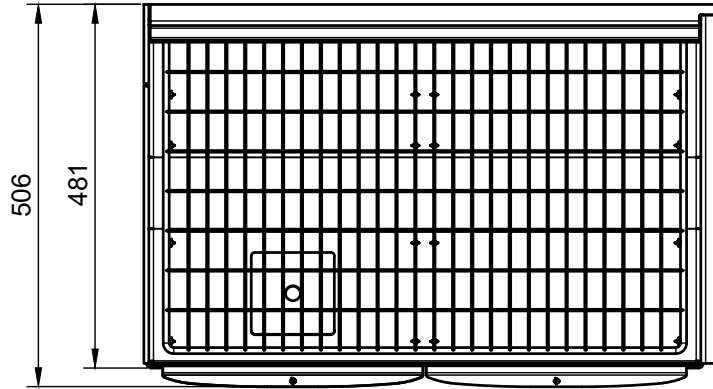


Free Standing Braai Body 1000 - Counter Top

BBQ-FSB-0-1000-CT-N-MS-0000-Signi-CBA-ASM

This drawing is copyright and remains the property of Signi Fires. It may not be retained, copied, or used without written consent.


Est. Unit Weight	Projection	Scale	Sheet	Creation Date
175.9 kg		1:20	A4	2025/09/23




Installation Notes:

Product Description

Ember Wood Insert 770 - Full Grid

 Electrical supply by specialist unit for light fitting.

 Gas supply by specialist for gas griller insert.

Product Title

BBQ-Ember Wood Insert-770MS-030203-0000-Signi-CA-ASM

Signi Fires™

General Notes:

Do Not Scale From Drawing


This drawing is copyright and remains the property of Signi Fires. It may not be retained, copied, or used without written consent.

Designer
Dewald Basson

Creation Date
2024/01/28

Unless Otherwise Specified
Dimensions are in millimeters
Tolerances
X.X = ± 0.5
X.XX = ± 0.05
X.XXX = ± 0.005

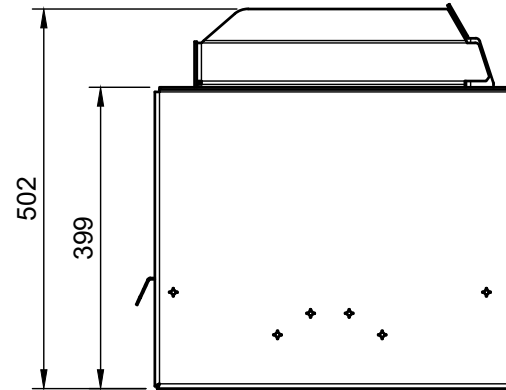
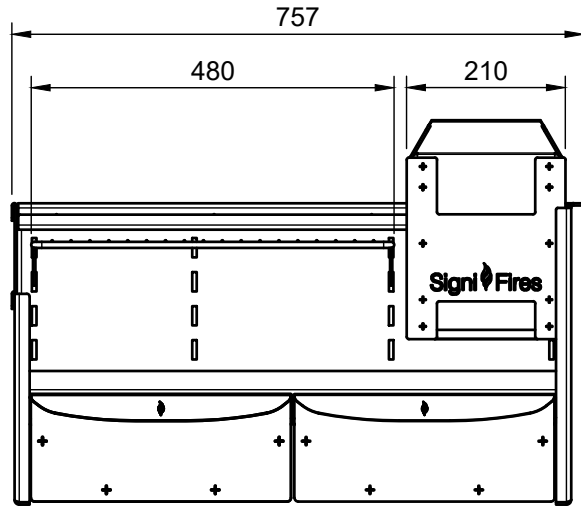
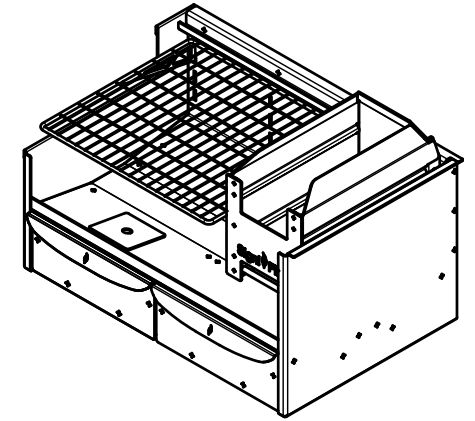
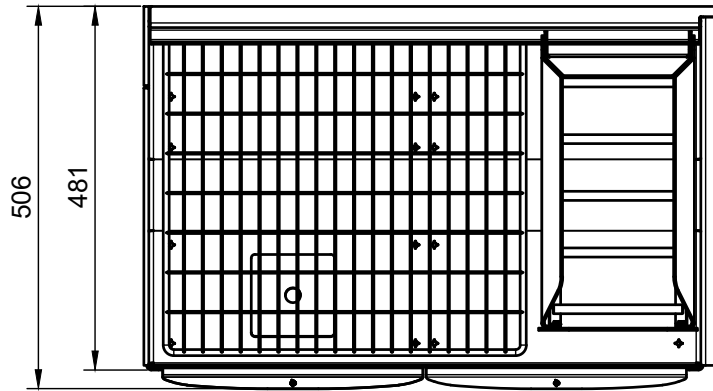
This Document Contains
Confidential And Proprietary
Information That Cannot Be
Reproduced Or Divulged, In Whole
Or In Part, Without Written
Authorization From
Signi Fires.

Projection


Scale
1:10

Sheet
A4

Sheet Count
1/1





Installation Notes:

Blank area for installation notes.

Product Description

Ember Wood Insert 770

 Electrical supply by specialist unit for light fitting.

 Gas supply by specialist for gas grill insert.

Product Title

BBQ-Ember Wood Insert-770MS-030203-0000-Signi-CA-ASM

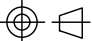


General Notes:
Do Not Scale From Drawing
This drawing is copyright and remains the property of Signi Fires. It may not be retained, copied, or used without written consent.

Designer
Dewald Basson
Creation Date
2024/01/28

Unless Otherwise Specified
Dimensions are in millimeters
Tolerances
X.X = ± 0.5
X.XX = ± 0.05
X.XXX = ± 0.005

This Document Contains Confidential And Proprietary Information That Cannot Be Reproduced Or Divulged, In Whole Or In Part, Without Written Authorization From Signi Fires.

Projection	Scale	Sheet	Sheet Count
	1:10	A4	1/1