

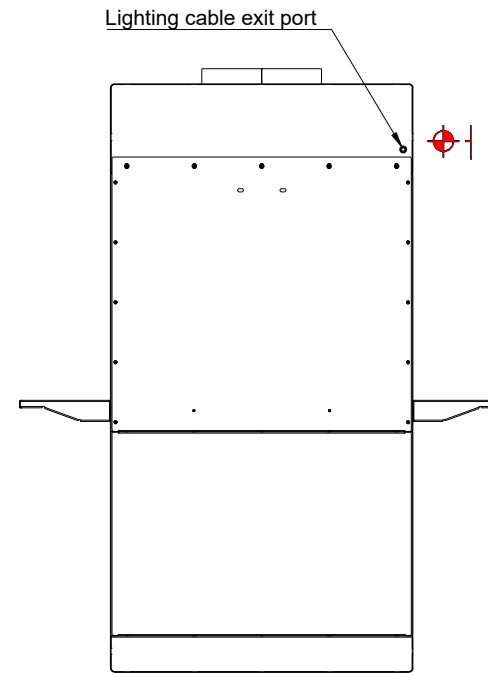
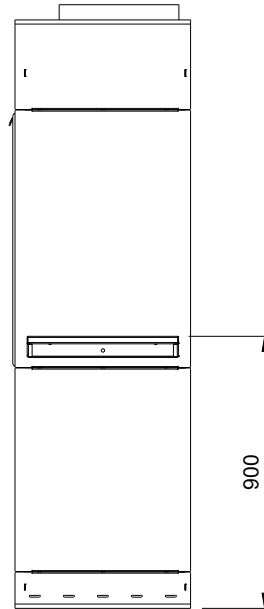
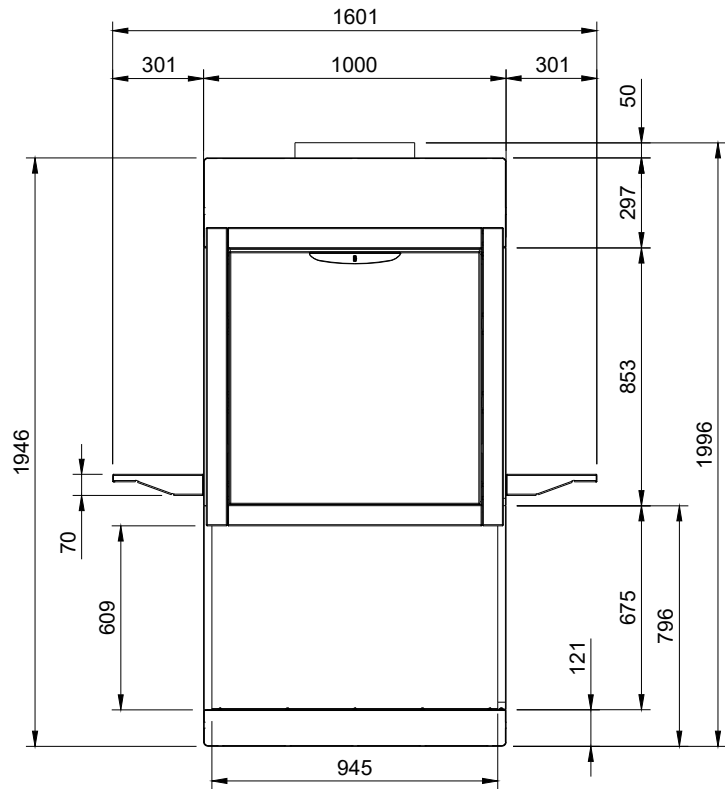
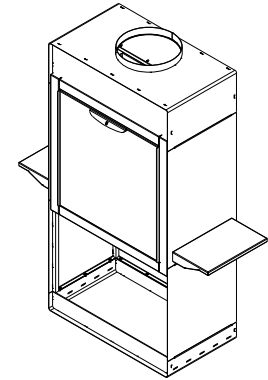
Complete Unit:

- Freestanding Braai Body - 1000
- Ember Insert Braai Body - 800
- 770 - Ember Wood Insert with Ember Maker & Grid

Optional:

- Shelves

Signi Fires™

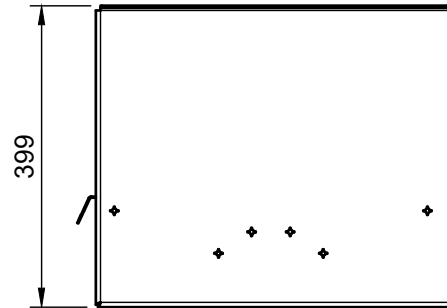
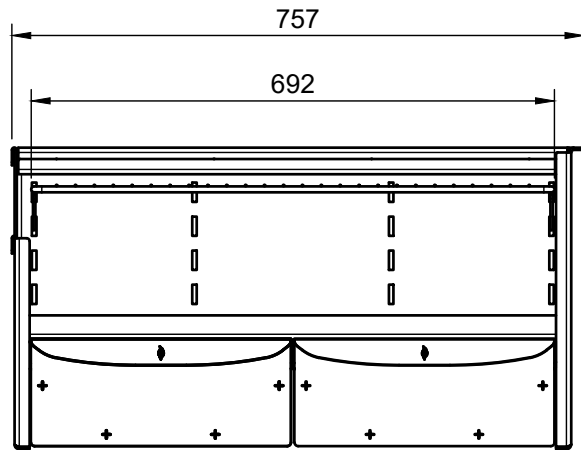
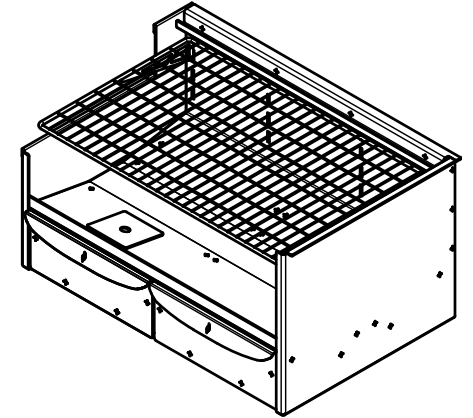
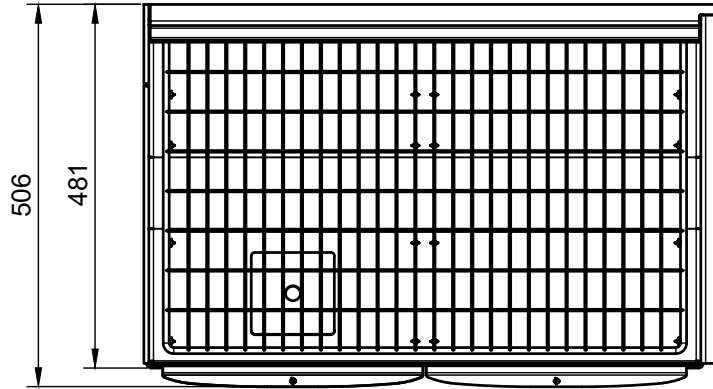


Free Standing Braai Body 1000 - Log Storage

BBQ-FSB-0-1000-LS-N-MS-0000-Signi-CBA-ASM

This drawing is copyright and remains the property of Signi Fires. It may not be retained, copied, or used without written consent.

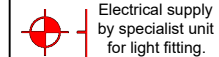
Est. Unit Weight	Projection	Scale	Sheet	Creation Date
213.2 kg		1:45	A4	2025/09/23



Installation Notes:

Product Description

Ember Wood Insert 770 - Full Grid



Electrical supply by specialist unit for light fitting.



Gas supply by specialist for gas griller insert.

Product Title

BBQ-Ember Wood Insert-770MS-030203-0000-Signi-CA-ASM



General Notes:

Do Not Scale From Drawing

This drawing is copyright and remains the property of Signi Fires. It may not be retained, copied, or used without written consent.

Designer

Dewald Basson

Creation Date

2024/01/28

Unless Otherwise Specified
Dimensions are in millimeters
Tolerances
X.X = ± 0.5
X.XX = ± 0.05
X.XXX = ± 0.005

This Document Contains
Confidential And Proprietary
Information That Cannot Be
Reproduced Or Divulged, In Whole
Or In Part, Without Written
Authorization From
Signi Fires.

Projection



Scale

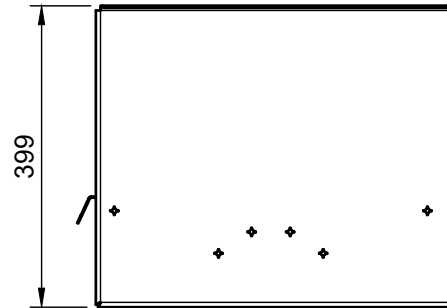
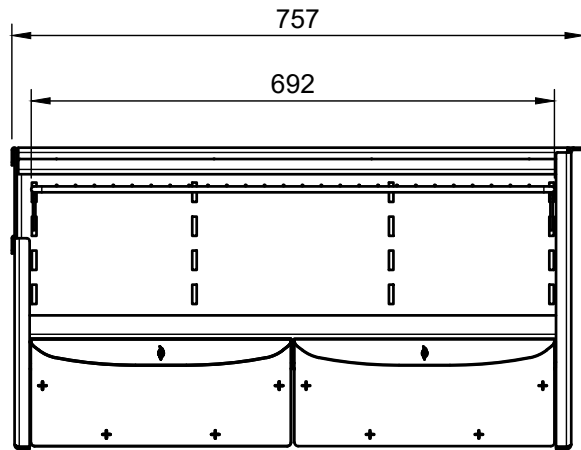
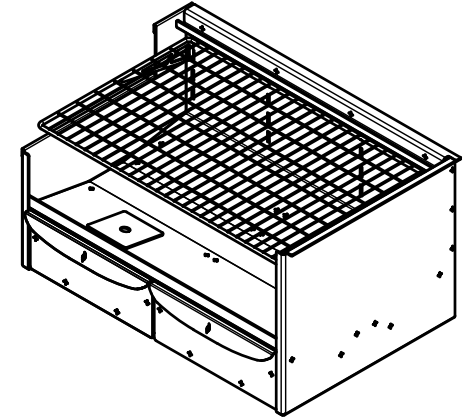
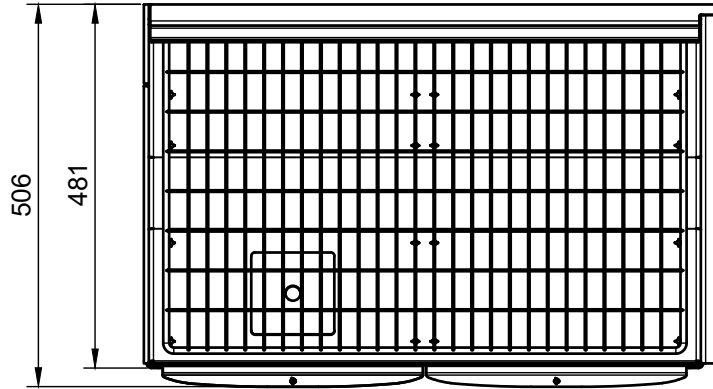
1:10

Sheet

A4

Sheet Count


1/1




Installation Notes:

Product Description

Ember Wood Insert 770 - Full Grid

 Electrical supply by specialist unit for light fitting.

 Gas supply by specialist for gas griller insert.

Product Title

BBQ-Ember Wood Insert-770MS-030203-0000-Signi-CA-ASM

Signi Fires™

General Notes:

Do Not Scale From Drawing


This drawing is copyright and remains the property of Signi Fires. It may not be retained, copied, or used without written consent.

Designer
Dewald Basson

Creation Date
2024/01/28

Unless Otherwise Specified
Dimensions are in millimeters
Tolerances
X.X = ± 0.5
X.XX = ± 0.05
X.XXX = ± 0.005

This Document Contains
Confidential And Proprietary
Information That Cannot Be
Reproduced Or Divulged, In Whole
Or In Part, Without Written
Authorization From
Signi Fires.

Projection


Scale
1:10

Sheet
A4

Sheet Count
1/1