

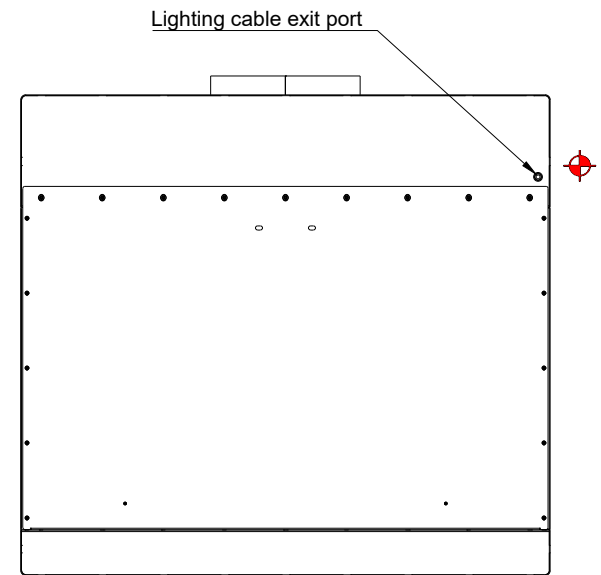
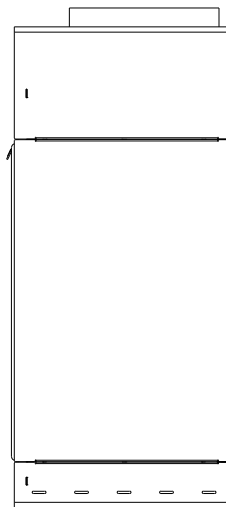
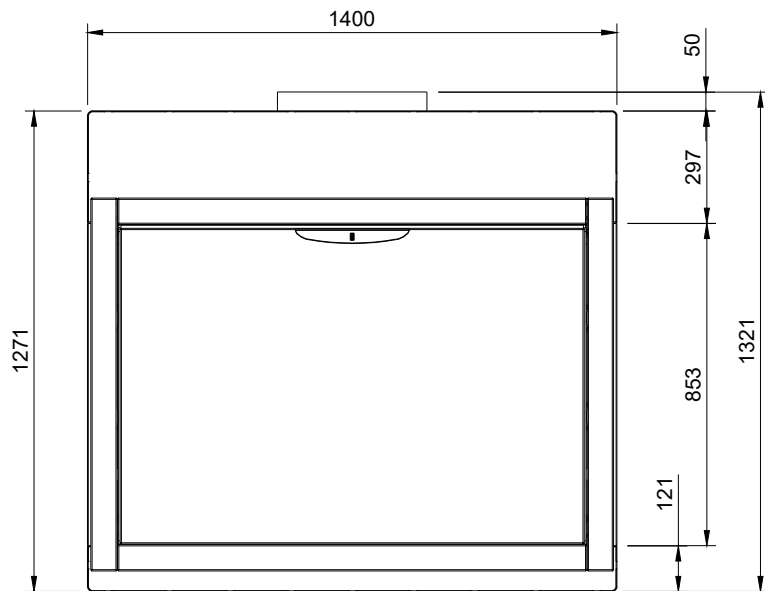
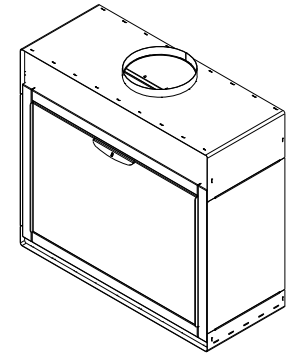
Complete Unit:

- Counter Top Braai Body - 1400
- Ember Insert Braai Body - 1200
- 1170 - Ember Wood Insert with
Ember Maker & Grid

Optional:

- Shelves

Signi Fires™

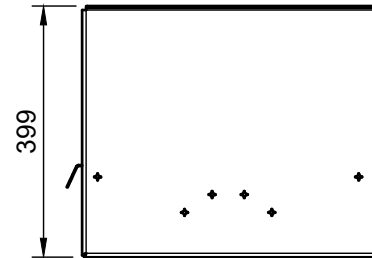
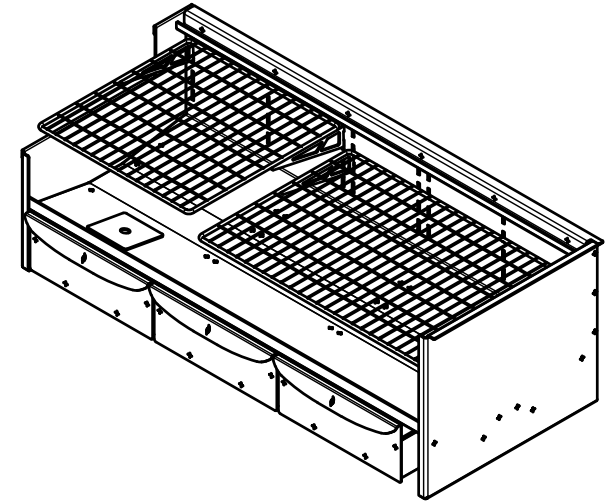
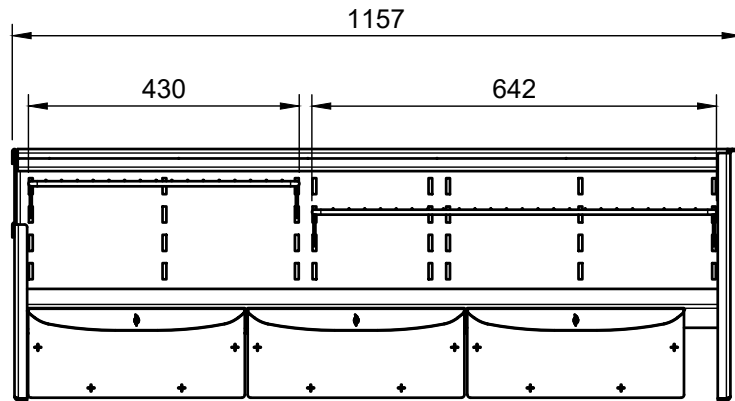
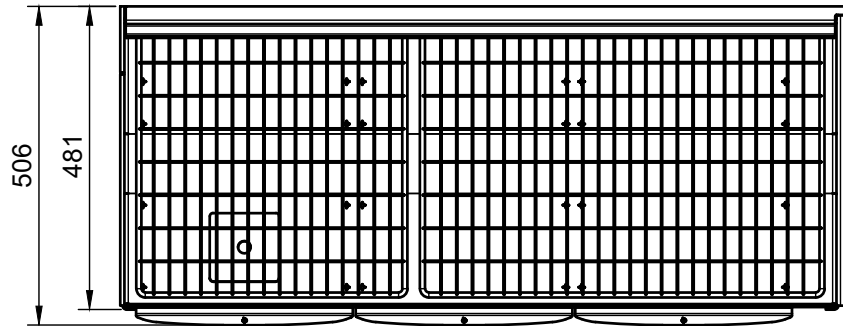


Free Standing Braai Body 1400 - Counter Top

BBQ-FSB-0-1400-CT-N-MS-0000-Signi-CBA-ASM

This drawing is copyright and remains the property of Signi Fires. It may not be retained, copied, or used without written consent.

Est. Unit Weight	Projection	Scale	Sheet	Creation Date
221.4 kg		1:20	A4	2025/09/23



Installation Notes:

Product Description

Ember Wood Insert 1170 - Full Grid

Electrical supply by specialist unit for light fitting.

Gas supply by specialist for gas grill insert.

Product Title

BBQ-Ember Wood Insert-1170MS-030203-0000-Signi-CA-ASM

Signi Fires™

General Notes:

Do Not Scale From Drawing

This drawing is copyright and remains the property of Signi Fires. It may not be retained, copied, or used without written consent.

Designer

Dewald Basson

Unless Otherwise Specified
Dimensions are in millimeters
Tolerances
X.X = ± 0.5
X.XX = ± 0.05
X.XXX = ± 0.005

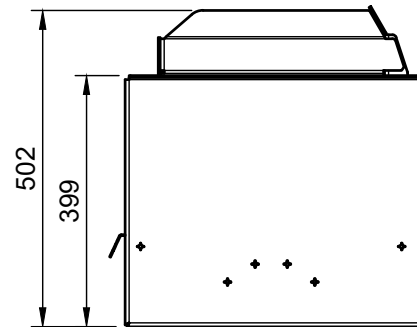
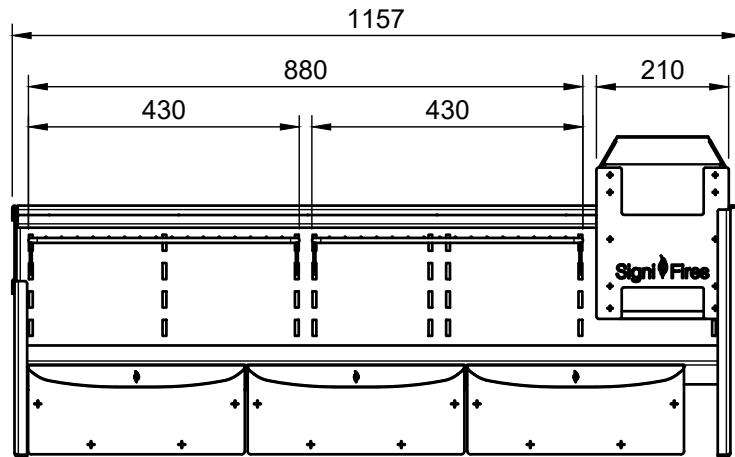
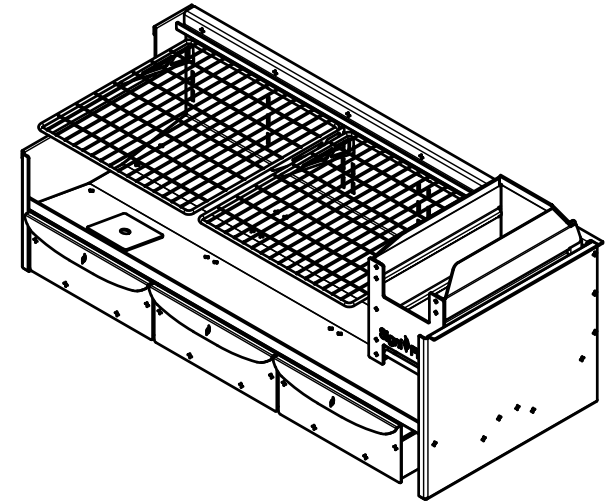
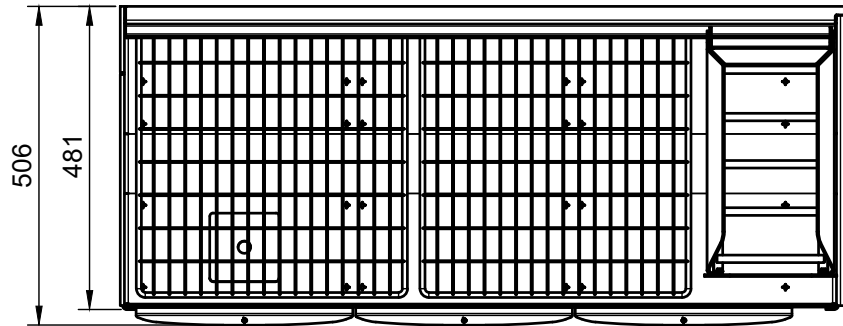
This Document Contains Confidential And Proprietary Information That Cannot Be Reproduced Or Divulged, In Whole Or In Part, Without Written Authorization From Signi Fires.

Projection

Scale
1:15

Sheet
A4


Sheet Count
1/1




Installation Notes:

Product Description

Ember Wood Insert 1170

 Electrical supply by specialist unit for light fitting.

 Gas supply by specialist for gas grill insert.

Product Title

BBQ-Ember Wood Insert-1170MS-030203-0000-Signi-CA-ASM

Signi Fires™

General Notes:

Do Not Scale From Drawing

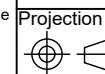
This drawing is copyright and remains the property of Signi Fires. It may not be retained, copied, or used without written consent.

Designer
Dewald Basson

Creation Date
2024/01/28

Unless Otherwise Specified
Dimensions are in millimeters
Tolerances
X.X = ± 0.5
X.XX = ± 0.05
X.XXX = ± 0.005

This Document Contains
Confidential And Proprietary
Information That Cannot Be
Reproduced Or Divulged, In Whole
Or In Part, Without Written
Authorization From
Signi Fires.



Scale
1:15

Sheet
A4

Sheet Count
1/1