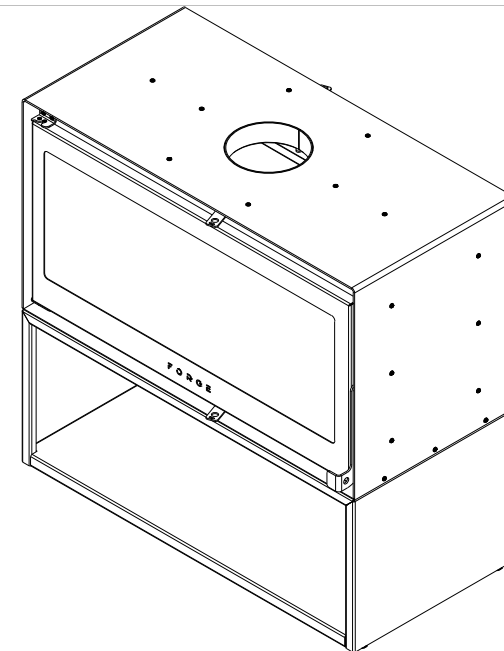


# FORGE FIRES



## Forge F100 Double Sided Freestanding with Woodbox

FDSR-MS-WB-1000-0-W-CA v77

This drawing is copyright and remains the property of Signi Fires. It may not be retained, copied, or used without written consent.

Projection	Scale	Sheet	Creation Date
	1:12	A4	2026/05/05